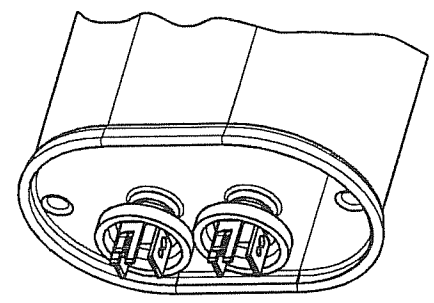
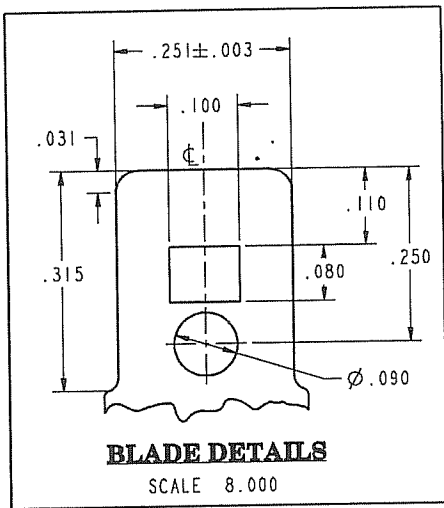
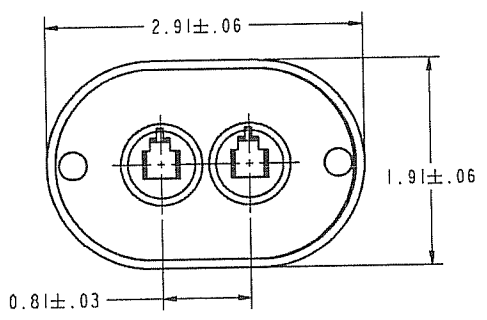


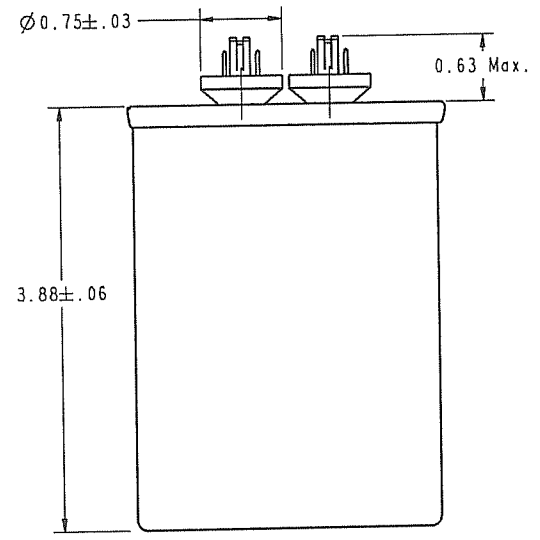
**RBC PROPRIETARY AND CONFIDENTIAL INFORMATION**

This document is the property of REGAL-BELOIT CORPORATION ("RBC") including its subsidiaries and divisions. It contains proprietary information of RBC and is to be used only for the purpose specified in the contract. If this document is loaned to any person, it shall be returned to RBC upon completion of the loan. This document shall be used by the recipient only as approved expressly by RBC. This document shall be returned to RBC upon completion of the loan. This document shall be used by the recipient only as approved expressly by RBC. This document shall be returned to RBC upon completion of the loan. This document shall be used by the recipient only as approved expressly by RBC. This document shall be returned to RBC upon completion of the loan.

REVISIONS			
REV.	DESCRIPTION	DATE	APPROVED
1	Modified per ECN NO. 0627.	11/11/05	HV



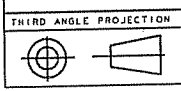
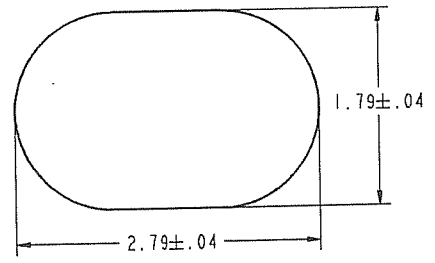
SCALE 1.500



**SPECIFICATIONS:**

"GEM-III Capacitors are manufactured with High Grade Metallized Polypropylene Film"

Main Capacitance	: 24.00µF ±3%
Secondary Capacitance	: NIL
Volts	: 480AC
Leakage Current	: 30µA Max.
Frequency	: 50/60 HZ
Operating Temperature	: -40 DEG C TO 90 DEG C
Storage Temperature	: -40 DEG C TO 90 DEG C
Operative Life	: 60,000 HRS WITH 94% SURVIVAL
Dissipation Factor	: 0.1% MAX.
Case Material	: ALUMINIUM
Cover Material	: TERMPLETE
Terminals	: 0.250"x0.031" Quick Connect Blades
Dielectric Fluid	: DIELEKTROL VI
Internal Protection	: UL RECOGNIZED PRESSURE SENSITIVE INTERRUPTER



FOR ADDITIONAL INFO REFER TO:	SIGNATURES	DATE
APPLIED PRACTICES	MODEL RAGHU.P.H	09/13/04
UNLESS OTHERWISE SPECIFIED DIMENSIONS ARE IN INCHES	DETAIL RAGHU.P.H	09/13/04
TOLERANCE DM:	CHECKED RAGHU.P.H	09/13/04
1 PL DECIMALS ± 0.1	ENGRS	-
2 PL DECIMALS ± 0.01	MFG	-
3 PL DECIMALS ± 0.001	QUALITY	-
ANGLES ± 0.5	ISSUED	-
FRACTIONS ±		
FINISH		

**REGAL-BELOIT CORPORATION**

**GEM III CAPACITOR OUTLINE DRAWING**

SIZE: C DRAWING: 97F6680RC REV: 1

MATERIAL: SOLID MODEL: 2TCAPACITOR.ASH SCALE: 1.250 REF. No: SHEET 1 OF 1